

A community campaign for surgical innovation at HSC

With your support, the Health Sciences Centre Foundation will help Manitoba's hospital deliver tomorrow's health care—today.

Donate at OperationExcellence.ca





The Campaign in Brief

- Operation Excellence is a \$100 million campaign to **revitalize and refocus** Health Sciences Centre as a surgical centre of excellence and innovation. It is the largest campaign in the history of the HSC Foundation.
- The campaign was launched publicly in June 2022 with **\$75 million already raised**. This figure comprises a \$50 million contribution from the Province of Manitoba along with \$25 million in private donations.
- Operation Excellence is a comprehensive six-year initiative to **redevelop a number of key spaces** on the HSC campus; **acquire the most advanced imaging and surgical equipment available** with a focus on emerging, minimally invasive technologies; and **implement state-of-the-art software systems** to better manage surgical referrals and wait lists.

Operation Excellence is bold and ambitious—and it is the key to a successful future for surgery in Manitoba. Starting now.

A Solution for the Generations

Positioning HSC for sustainable excellence

The significant diagnostic and surgical wait list situation in Manitoba took root well before the COVID-19 pandemic arrived in our province. HSC's leadership had begun to develop a robust surgical plan to address the challenge and position HSC at the centre of a sustainable future for diagnostics and surgical care for Manitobans.

The pandemic forced those plans to be set aside temporarily as hospital personnel worked tirelessly to treat COVID-19 patients, keep the hospital functioning smoothly, and keep each other safe.

The pandemic also proved to be instructive as it exposed vulnerabilities in the health care system, amplified its

shortcomings and strengths, and offered important ideas for space utilization, technology, and patient flow at HSC.

It became clear that a grand solution shaped by re-imagining spaces and acquiring exceptional technology was required. We concluded that small changes and gradual progress will neither solve the current wait list situation nor prepare Manitoba's health care system for the future. What was needed was bold thinking, a commitment to innovate, a shared desire to make transformational leaps into the future, and the funding to make it all happen.

A plan was developed, and **Operation Excellence** was born.

Phase 1

\$33 million

Currently underway; ends 2023

Key Elements:

Four new operating rooms: one in the former Women's Hospital at 735 Notre Dame Avenue; and three in the Kleysen Institute for Advanced Medicine

New, advanced, minimally invasive surgical equipment

A leading-edge surgical wait list information management system for optimal coordination of patient needs and surgical resources

Phase 2

\$43 million

2-4 years

Key Elements:

A high-acuity surgical step-down unit, 18-20 beds

A new, enhanced pain clinic for better perioperative care

Four new operating rooms

New endoscopy capacity

Phase 3

\$24 million

2-6 years

Key Elements:

Bed re-allocation and room renovations to create private rooms in the main hospital building

Consolidation of three clinics, allowing for Emergency Room expansion and a new surgical decant unit

Development of the HSC Outpatient Imaging Facility which will include enhanced CT scanners, MRI, and ultrasound equipment



Operation Excellence is a six-year, three-phase initiative that will increase diagnostic and surgical capacities at HSC by 25% over pre-pandemic levels.

Minimally Invasive Surgery

The cornerstone of Operation Excellence

The pace of change in surgical technology is truly remarkable. Through new generations of equipment, the goal has always remained the same: solve the patient's problem with the least amount of pain, the lowest possible risk of infection, and the fastest possible recovery.

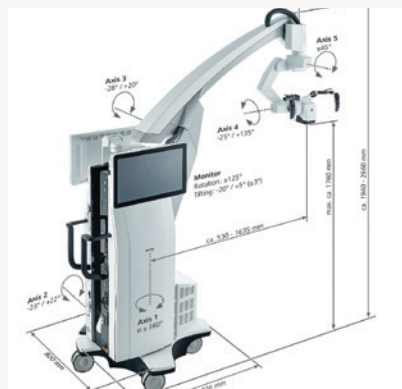
The new generation of minimally invasive surgical equipment will allow HSC to achieve the best possible surgical outcomes for Manitobans.

With minimally invasive surgery, doctors can use small incisions and treat the patient with small instruments, tubes, and cameras while watching their work on high-definition monitors. This is the preferred alternative to conventional open surgery which comes with more pain, a greater risk of infection, and longer hospital stays.

Minimally invasive approaches improve hospital efficiencies while improving people's lives. Minimally invasive surgery represents best practice in surgical care, and that's where HSC needs to be for the benefit of all Manitobans.



Your support will help HSC redevelop spaces at the hospital and purchase the most advanced imaging and surgical equipment available. Through Operation Excellence we can make sure that HSC is on the leading edge of health care for years to come.





The Promise of Operation Excellence

The surgical care that Manitobans deserve

With your support, Operation Excellence will help HSC:

- ✓ address the urgent diagnostic and surgical wait list situation in Manitoba
- ✓ ensure that every Manitoban who requires emergency or scheduled surgery at HSC gets timely, appropriate, excellent care
- ✓ improve patient safety, comfort, and outcomes by moving toward more minimally invasive procedures when circumstances and technology allow
- ✓ reduce wait times for scheduled surgeries
- ✓ achieve overall care efficiencies and cost savings by reducing the number of days people need to spend recovering in hospital
- ✓ reduce Emergency Department wait times by improving overall efficiencies at HSC
- ✓ create the conditions to embrace emerging and future surgical technologies, such as robotics, artificial intelligence, augmented reality, intraoperative navigation, and others
- ✓ become a hospital of choice for surgeons, nurses, and allied health professionals looking for opportunities to learn, excel, and perform leading-edge work

New, minimally invasive procedures allow surgeons to perform their best work with tremendous precision. Minimally invasive procedures mean better outcomes for patients and shorter hospital stays.



Health Sciences Centre
FOUNDATION

Help us **revitalize and refocus** Health Sciences Centre as a surgical centre of excellence and innovation. To discuss your giving options, please contact the Health Sciences Centre Foundation.

PW-112-700 William Ave
Winnipeg, Manitoba R3E 0Z3
hscfoundation.mb.ca
OperationExcellence.ca

Phone 204-515-5612
Toll-free 1-800-679-8493
Email info@hscfoundation.mb.ca



Scan this code
to donate today.